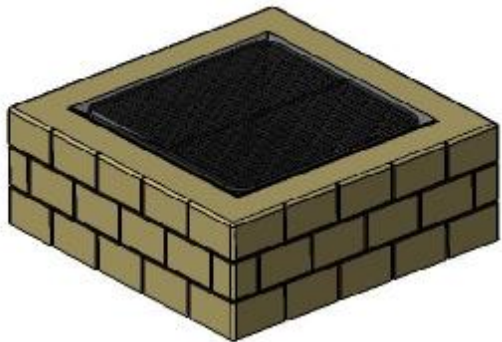
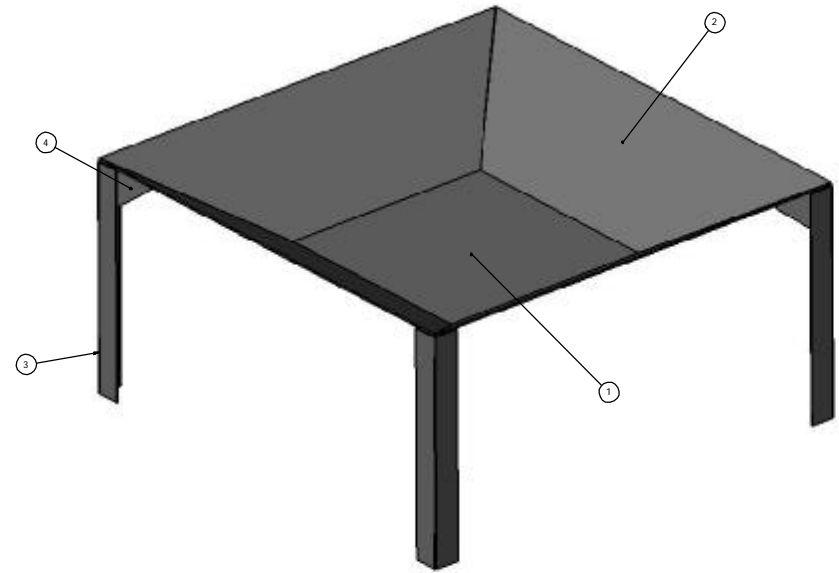




SHOWN WITH GRILL



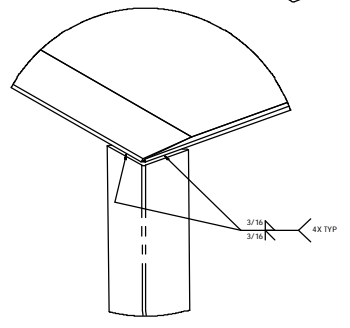
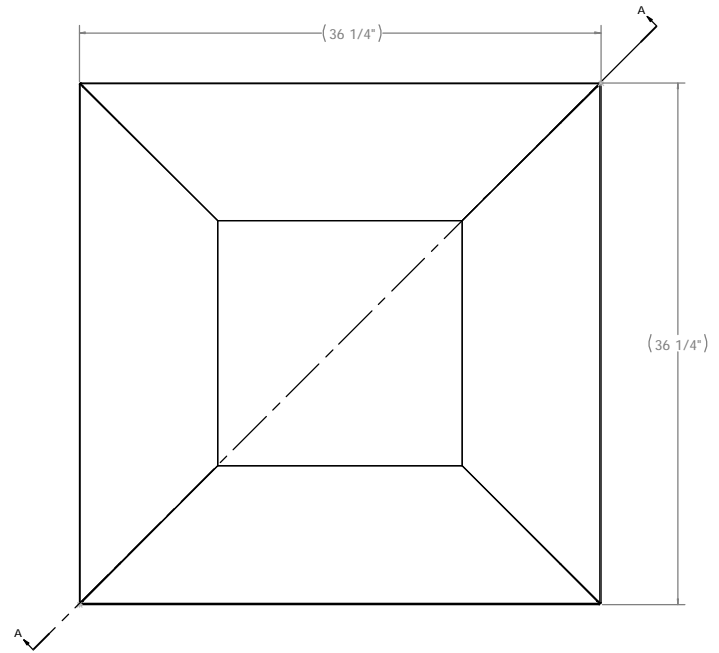
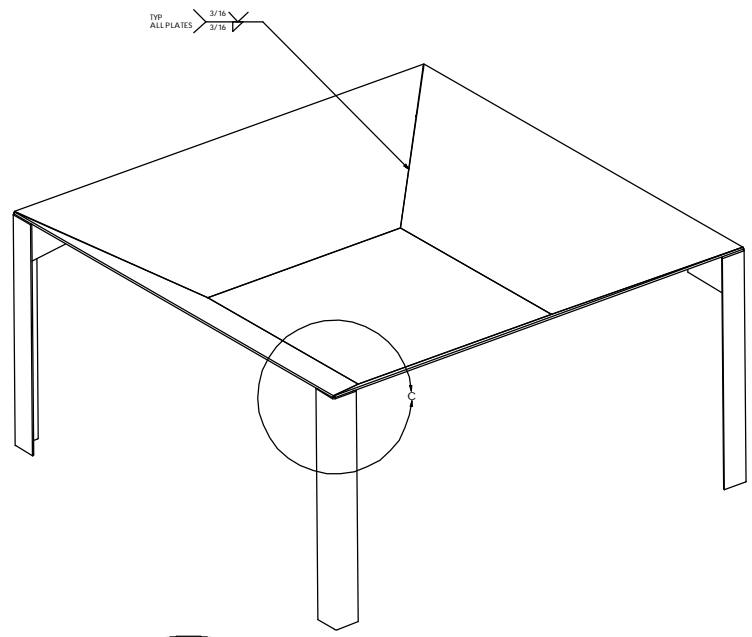
SHOWN WITH BRICK SURROUND

ITEM NO.	PART NUMBER	DESCRIPTION	QTY
1	WP-910-1	BOTTOM PLATE	1
2	WP-910-2	SIDE PLATE	4
3	WP-910-3	LEG, ANGLE 2" X 3/16"	4
4	WP-910-4	LEG GUSSET	4
5	WP-910-5	GRATE	1

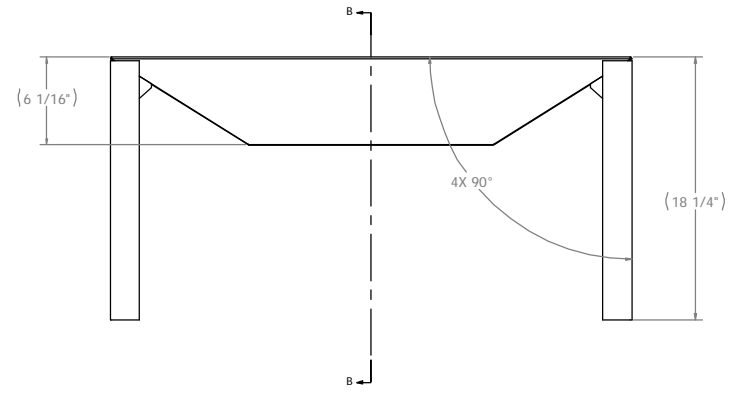
UNLESS OTHERWISE SPECIFIED, DIMENSIONS ARE IN INCHES. DIMENSIONS IN PARENTHESES ARE FRACTIONS. DECIMALS ARE TO THREE PLACE DECIMAL. 0.005 INCHES IS THE MINIMUM WELDING TOLERANCE. THE INFORMATION CONTAINED IN THIS DRAWING IS THE SOLE PROPERTY OF WELDING.COM. ANY REPRODUCTION IN PART OR AS A WHOLE WITHOUT THE WRITTEN PERMISSION OF WELDING.COM IS PROHIBITED.

UNLESS OTHERWISE SPECIFIED:	NAME	DATE
DRAWN	R. WILKINSON	11/11/14
CHECKED		
ENG APPR		
MFG APPR		
QA		
COMMENTS:		

WcWelding.com		
SIZE	DWG. NO.	REV.
D	WP-910	A
SCALE: 1:1		SHEET 1 OF 7



DETAIL C
SCALE 1 : 2



WcWelding.com		
TITLE: FIRE PIT		
SIZE: D	DWG. NO.: WP-910	REV: A
SCALE: 1:1	SHEET 2 OF 7	