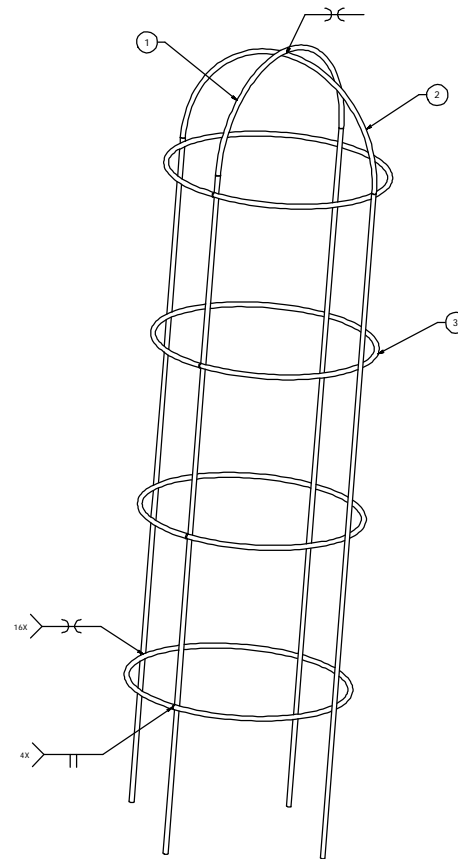
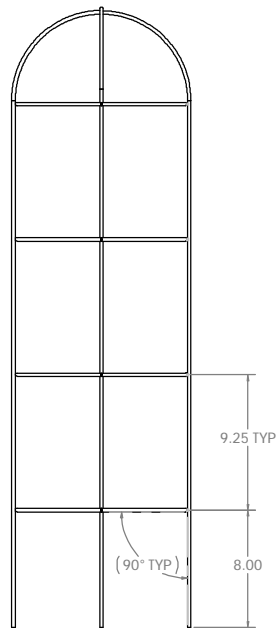
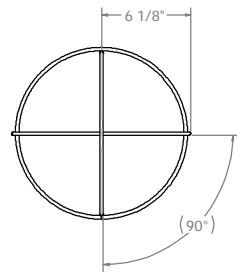


NOTES:



ITEM NO.	PART NUMBER	DESCRIPTION	LENGTH (INCHES)	QTY.
1	WP-901-1	CAGE HOOP, LONG	90 7/8"	1
2	WP-901-2	CAGE HOOP, SHORT	90 7/8"	1
3	WP-901-3	CAGE RING	36"	4

QUALITY STANDARDS		SPECIFICATIONS		PROPRIETARY AND CONFIDENTIAL		UNLESS OTHERWISE SPECIFIED		NAME		DATE	
MATERIAL	MILD STEEL ROD, 1/4" DIA.			DIMENSIONS ARE IN INCHES		DESIGNED BY	WELDRON	K	09	TITLE	
WELDING	MIG OR OXY-ACETYLENE			TOLERANCES UNLESS OTHERWISE SPECIFIED		CHECKED				TOMATO CAGE	
DIMENSIONAL				ANGULAR ±1°		ENG APPR					
HEAT TREAT				THREE PLACE DECIMAL ±.005		ENG APPR					
COATING	PAINT AS DESIRED			PERMIT TOLERANCE UNLESS OTHERWISE SPECIFIED		GA.					
MARKING				WEIGHT:		COMMENTS:					
MISC. TESTING				WHERE USED:							

WcWelding.com

SIZE **D** DWG. NO. **WP-901** REV **A**
SCALE: 1:8 SHEET 1 OF 2