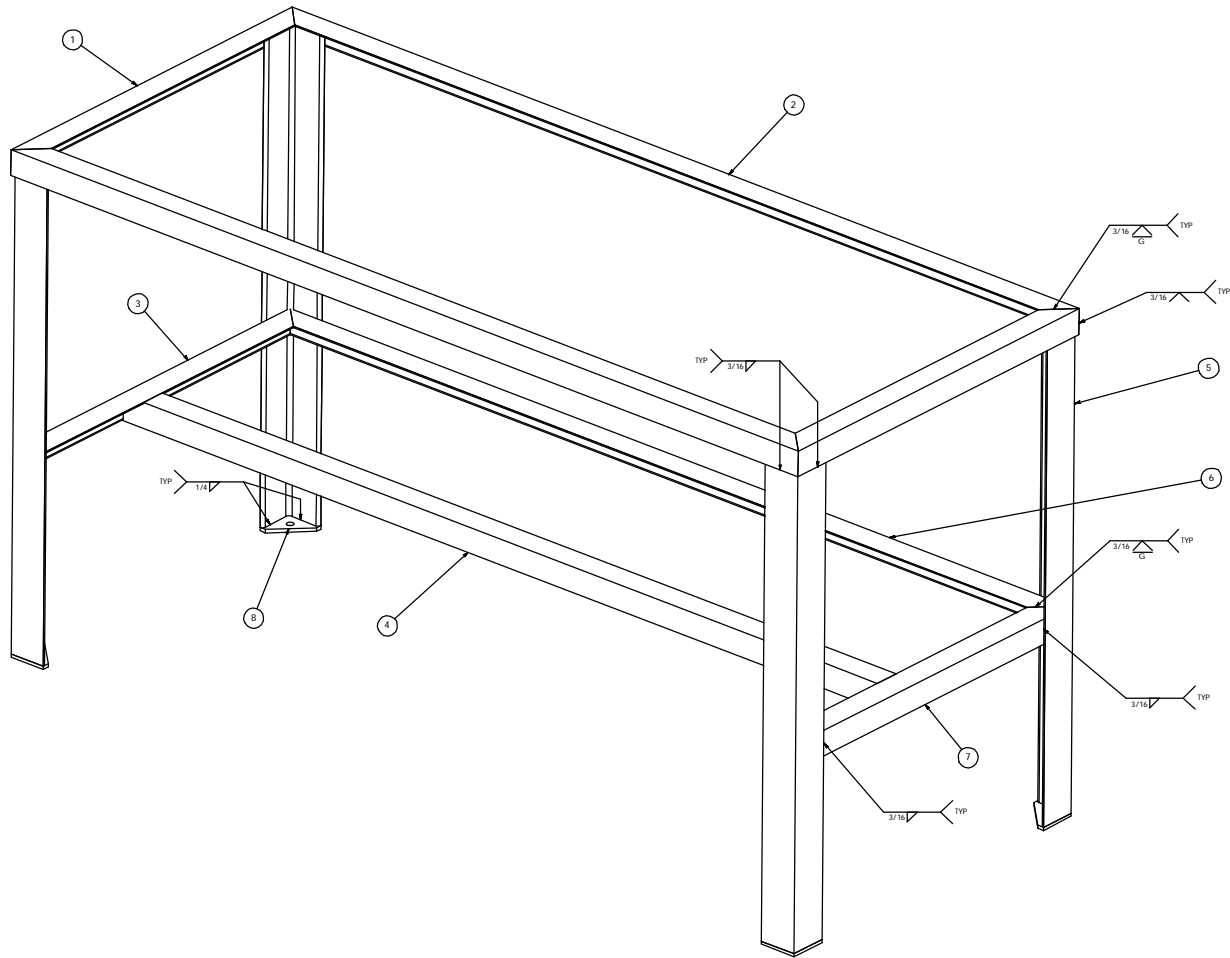


NOTES:



ITEM NO.	QTY.	PART NUMBER	DESCRIPTION	LENGTH (IN)
1	2	WP-902-3	ANGLE 2" X 2" X 3/16"	30
2	2	WP-902-4	ANGLE 2" X 2" X 3/16"	72
3	1	WP-902-6	ANGLE 2" X 2" X 3/16"	29.125
4	1	WP-902-8	ANGLE 2" X 2" X 3/16"	71.125
5	4	WP-902-5	ANGLE 3" X 3" X 1/4"	38.813
6	1	WP-902-9	ANGLE 2" X 2" X 3/16"	71.125
7	1	WP-902-7	ANGLE 2" X 2" X 3/16"	29.125
8	4	WP-902-1D	PLATE FOOT MOUNTING	

UNLESS OTHERWISE SPECIFIED:		NAME	DATE
DIMENSIONS ARE IN INCHES		DR	4-09
FRACTIONS ARE		CHECKED	
DECIMALS TO 3		ENG APPR	
THREE PLACE DECIMAL ± .005		WEL APPR	
WEIGHTS TO 0.001 LB		DATE	
WHERE USED:		COMMENTS:	

WcWelding.com
WORK BENCH

SIZE: **D** DWG. NO.: **WP-902** REV: **A**
 SCALE: 1:1 SHEET 2 OF 8